

## DS-2TP31B-3AUF

Temperature Screening Handheld Thermography Camera



The Temperature Screening Handheld Thermography Camera, specially designed for skin-surface temperature measurement. It's equipped with a 160 × 120 resolution thermal detector. It helps to detect high temperature quickly.

### Key Feature

- 160 × 120 resolution
- Thermography accuracy up to  $\pm 0.5$  °C
- 320 × 240 resolution 2.4" LCD display
- Built-in rechargeable Li-ion battery
- Up to 8 hours continuous running

### Function

#### Thermography

Device detects the real-time temperature, and display it on the screen.

#### Storage

Device is equipped with replaceable memory card to store snapshots.

#### Alarm

Device supports color alarm if temperature is higher than the setting value.



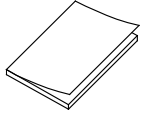
## Specification

Model		DS-2TP31B-3AUF
Parameter		Temperature Screening Handheld Thermography Camera
Thermal Module	Image sensor	Uncooled Focal Plane Arrays
	Max. Resolution	160 × 120
	Pixel Pitch	17μm
	Response waveband	8μm to 14μm
	NETD	< 40mK (@ 25 °C,F#=1.0)
	Field of View	37.2° × 50 °
	Focal length	3.1 mm
	IFOV	5.48 mrad
	Min. Focus Length	≥ 150 mm
	Aperture	F 1.1
Image Display	Monitor	320 × 240 resolution 2.4" LCD display
	Palettes	Black hot, White hot, Rainbow, Ironbow
Thermography	Rules	Max. Temperature; Min. Temperature; Center Temperature
	Thermographic Range	30 °C to 45 °C
	Thermographic Accuracy	± 0.5 °C
Battery	Battery Type	Rechargeable Lithium Battery
	Battery Operating Time	8 hours continuous running @ 25 °C
Function	Storage	Replaceable memory card (default 8 G, support up to 128 G storage)
	Photo	Thermal image
General	Language	English
	Power	3.7 VDC/0.4 A
	Power Consumption	Less than 1.2 W
	Hardware Interface	micro USB
	Working Temperature	10 °C to 35 °C (50 °F to 95 °F)
	Protection level	IP54
	Drop Test Height	2 m (6.56 feet)
	Dimension	196 mm × 117 mm × 59 mm (7.7" × 4.6" × 2.3")
Weight	Less than 350 g (0.77 lb)	

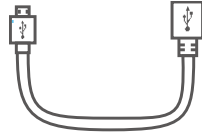
---

**Available Model**  
DS-2TP31B-3AUF

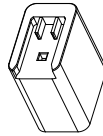
**Accessory**



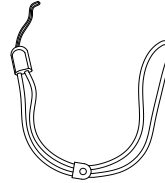
Quick Start Guide  
(x1)



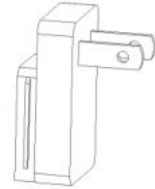
USB Cable (x1)



power Adapter  
(x1)

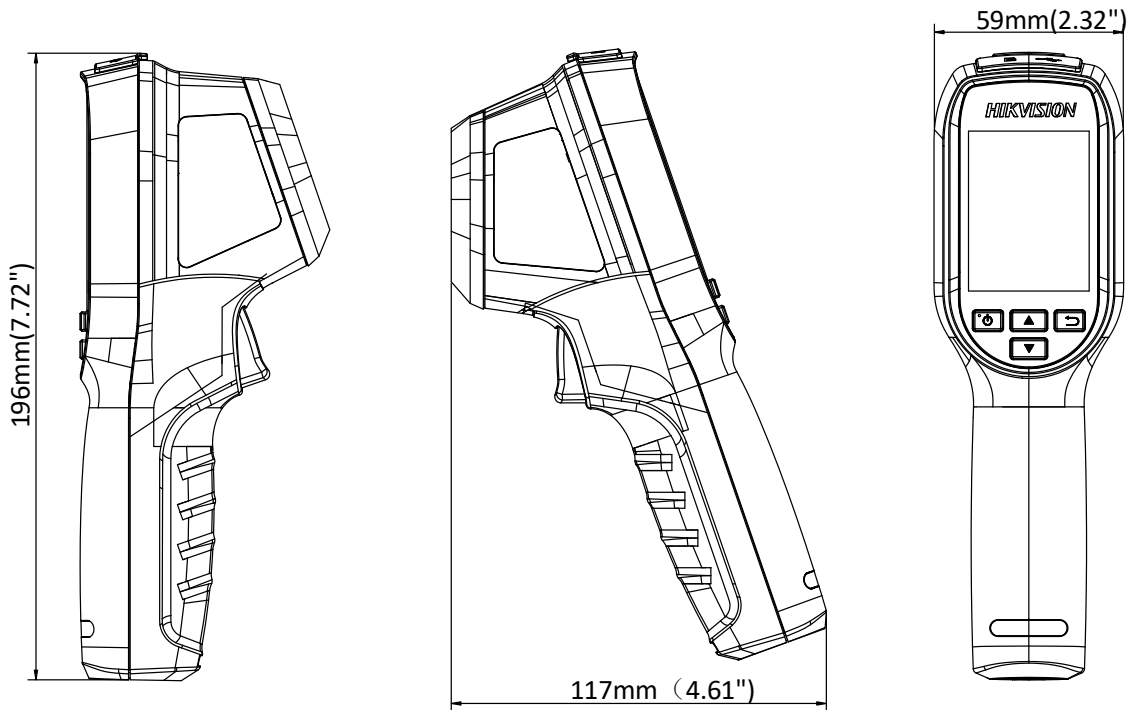


Wrist Strap (x1)



Adapter (x5)

**Dimension**



COMPLIANCE NOTICE: The thermal series products might be subject to export controls in various countries or regions, including without limitation, the United States, European Union, United Kingdom and/or other member countries of the Wassenaar Arrangement. Please consult your professional legal or compliance expert or local government authorities for any necessary export license requirements if you intend to transfer, export, re-export the thermal series products between different countries.

Distributed by

**HIKVISION®****Headquarters**

No.555 Qianmo Road, Binjiang District,  
Hangzhou 310051, China  
T +86-571-8807-5998  
overseasbusiness@hikvision.com

**Hikvision USA**  
T +1-909-895-0400  
sales.usa@hikvision.com

**Hikvision Australia**  
T +61-2-8599-4233  
salesau@hikvision.com

**Hikvision India**  
T +91-22-28469900  
sales@pramahikvision.com

**Hikvision Canada**  
T +1-866-200-6690  
sales.canada@hikvision.com

**Hikvision Thailand**  
T +662-275-9949  
sales.thailand@hikvision.com

**Hikvision Europe**  
T +31-23-5542770  
sales.eu@hikvision.com

**Hikvision Italy**  
T +39-0438-6902  
info.it@hikvision.com

**Hikvision Brazil**  
T +55 11 3318-0050  
Latam.support@hikvision.com

**Hikvision Turkey**  
T +90 (216)521 7070- 7074  
sales.tr@hikvision.com

**Hikvision Malaysia**  
T +601-7652-2413  
sales.my@hikvision.com

**Hikvision UK & Ireland**  
T +01628-902140  
sales.uk@hikvision.com

**Hikvision South Africa**  
Tel: +27 (10) 0351172  
sale.africa@hikvision.com

**Hikvision France**  
T +33(0)1-85-330-450  
info.fr@hikvision.com

**Hikvision Kazakhstan**  
T +7-727-9730667  
nikia.panfilov@hikvision.ru

**Hikvision Vietnam**  
T +84-974270888  
sales.vt@hikvision.com

**Hikvision UAE**  
T +971-4-4432090  
salesme@hikvision.com

**Hikvision Singapore**  
T +65-6684-4718  
sg@hikvision.com

**Hikvision Spain**  
T +34-91-737-16-55  
info.es@hikvision.com

**Hikvision Tashkent**  
T +99-87-1238-9438  
uzb@hikvision.ru

**Hikvision Hong Kong**  
T +852-2151-1761  
info.hk@hikvision.com

**Hikvision Russia**  
T +7-495-669-67-99  
sateru@hikvision.com

**Hikvision Korea**  
T +82-[0]31-731-8817  
sales.korea@hikvision.com

**Hikvision Poland**  
T +48-22-460-01-50  
info.pl@hikvision.com

**Hikvision Indonesia**  
T +62-21-2933759  
Sales.Indonesia@hikvision.com

**Hikvision Colombia**  
sales.colombia@hikvision.com